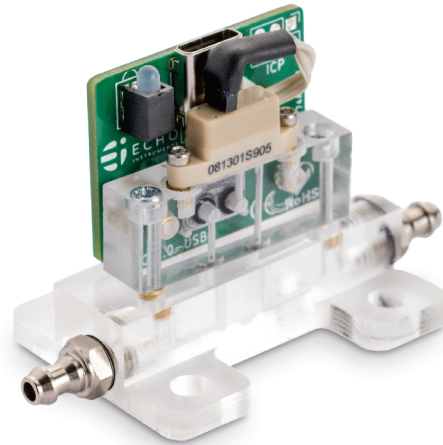


# WORLD'S SMALLEST MASS FLOW CONTROLLER

OEM OR STAND ALONE USE

ECHO Instruments NEW mass flow controller model EMF 100, is worlds smallest MFC suitable for OEM or stand-alone use. The mass flow controller can be integrated in various analytical devices in many industries that demand precise flow measurements, such as pharmaceutical, medical, industrial, environmental and others. ECHO Instruments newest family member fills the missing gap between the production of complete analyzers and the individual components that can be implemented in other analytical devices.



MFC EMF 100\_USB

## Features

- Ultra small;
- Lightweight;
- Easy installation;
- OEM or stand-alone use;
- Low power consumption;
- Quick response time;
- Single or multiple installation.



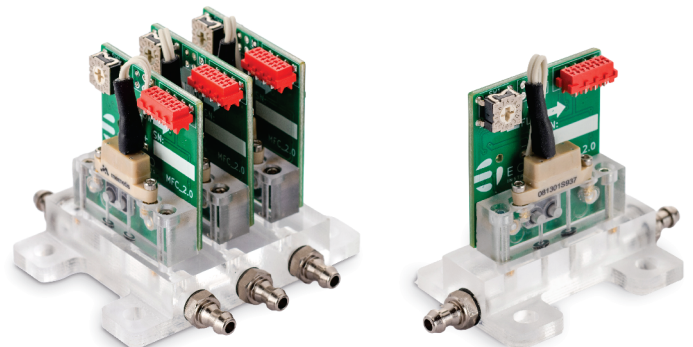
MFC EMF 100 + housing



Housing for MFC EMF 100

## Applications

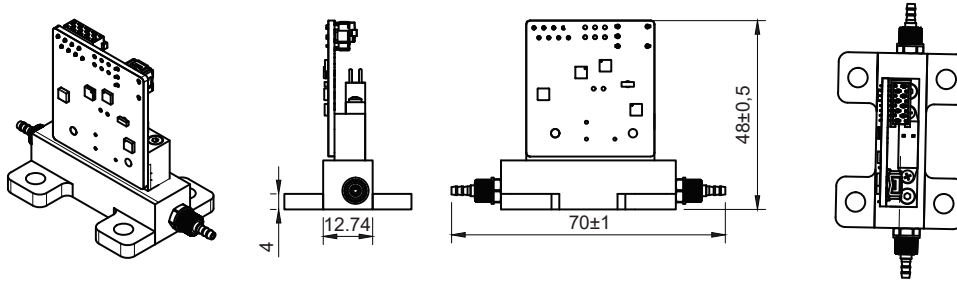
- Suitable for hand held analytical instruments;
- Gas flow control in various gas analyzers;
- Gas flow control in gas mixing devices;
- Installation in gas pipings with low flow rates;
- Medical applications;
- Designed for occupational health, industrial hygiene, environmental & workplace instruments.
- Respirometry systems;
- Applicable in aviation and space technology;
- Installation in drones and other autonomous vehicles.



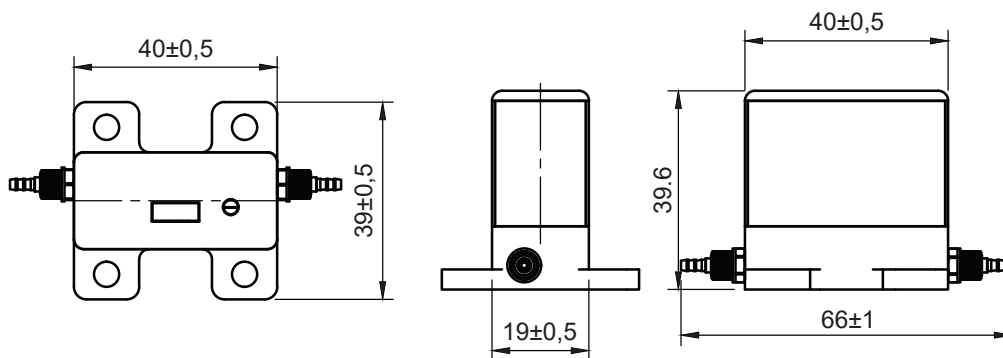
MFC EMF 100\_RS-485

# Dimensions

## MFC EMF 100\_USB



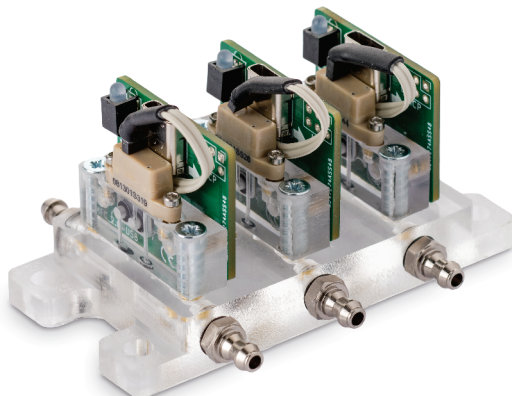
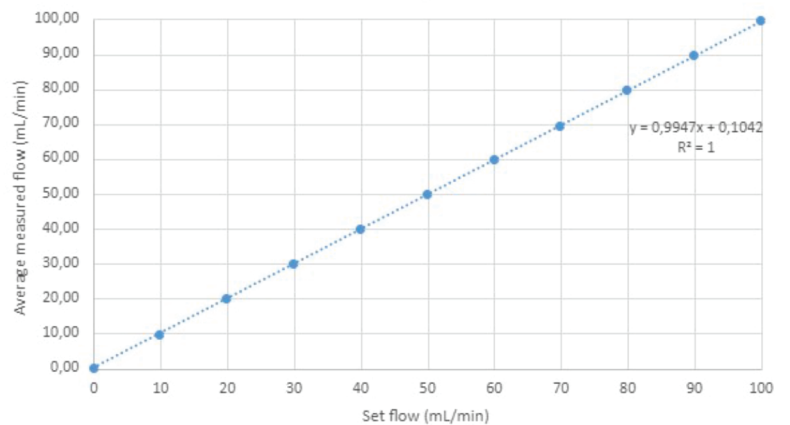
## MFC EMF 100\_USB + enclosure



# Specifications

- Flow range: 100 smL/min;
- Accuracy: < 0.75 % full-scale;
- Repeatability: 0.2 % full-scale;
- Response time: Response time: < 1 s;
- Connectivity: RS-485 / USB C;
- Valve functionality: 2/2-way seat valve (NC);
- Sensor principle: differential pressure sensor;
- Housings: Stainless steel, metal, plastic, etc
- Applicable gases: Air, O<sub>2</sub>, N<sub>2</sub>, CO<sub>2</sub>, Ar, etc;
- Other gases and mixtures: on demand.

## Linearity



MFC EMF 100 bench



ECHO Instruments d.o.o.

Zeče 25

3210 Slovenske Konjice

Slovenia, EU

Phone: +386 (0)3 759 23 80

Email: [info@echoinstruments.eu](mailto:info@echoinstruments.eu)